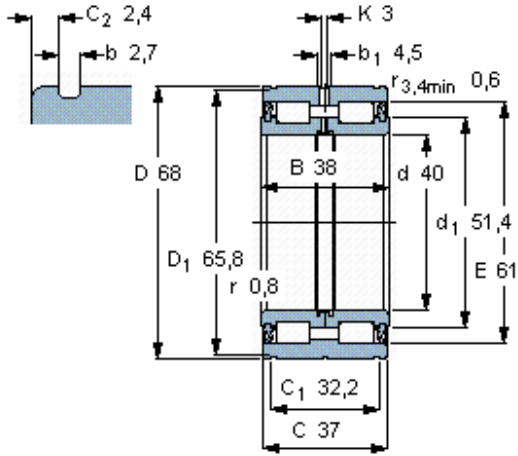


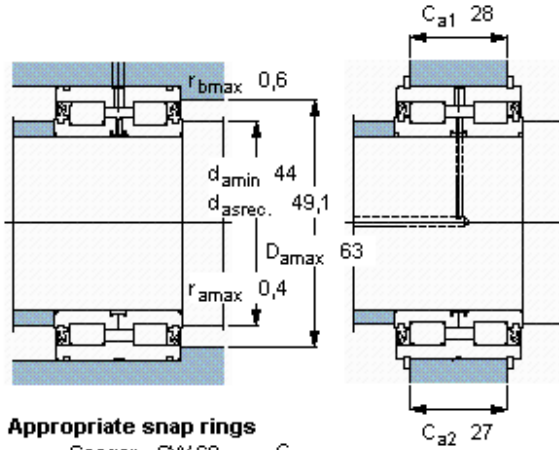
Cylindrical roller bearings, double row full complement

Principal dimensions			Basic load ratings		Speed ratings	Limiting speed	Designation
d	D	B	dynamic C	static C0	Reference speed		
mm			kN		r/min		-
40	68	38	85,8	116	-	2000	NNF 5008 ADB-2LSV



Calculation factor

k_r 0,4



Appropriate snap rings

Seeger SW 68 C_{a1}
 DIN 471 68x2.5 C_{a2}